

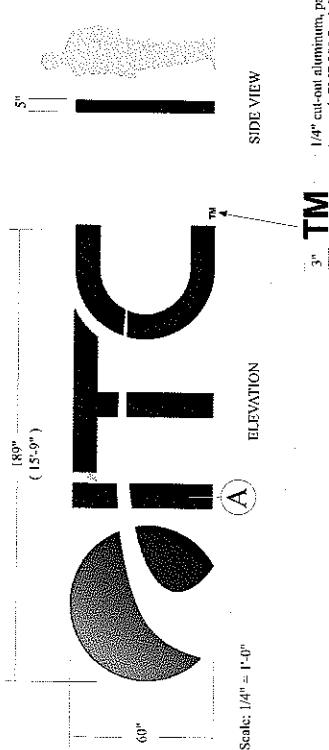
**Case No. 07-072 filed by Bill Lutz of Sign Graphix, Inc. for ITC  
Holdings Corporation**

Applicant is requesting two illuminated wall sign variances for the ITC Transmission Headquarters located at 27175 Energy Way. Applicant is requesting one forty-eight (48) square foot variance for the placement of a one hundred and thirteen (113) square foot wall sign for the north elevation of the parking deck as well as one thirteen (13) square foot variance for the placement of a seventy-eight (78) square foot wall sign for the west elevation of the office building. Property is zoned OST and located south of Twelve Mile Road and west of Haggerty Road.

CITY OF NOVI CODE OF ORDINANCES Section 28-5 (2) b. 1. (a) (ii) b. Area height and placement regulations, Two (2) or more story buildings , Single business states: “A wall sign displayed on a building occupied by one (1) business ...shall not exceed sixty-five (65) square feet.”

- **Applicant is requesting two wall sign variances for the ITC Transmission Headquarters.**

**SIGNAGE ON MAIN BUILDING**



**LOGO AND LOGO LETTERS:**  
 60" high internally illuminated channel logo and logo letters. Silhouette style back lighting. Fabricated aluminum faces and 5" deep returns. Faces to be painted \*MAP as indicated. Color graduation light to dark, to match PMS Cyan Blue to PMS 280 Dark Blue. Returns to be painted \*MAP to match PMS 280 Dark Blue. Letters painted reflective White on inside. Clear polycarbonate backer for attaching LEDs and 2 1/2" stand-offs. Weep holes in bottom of each letter.

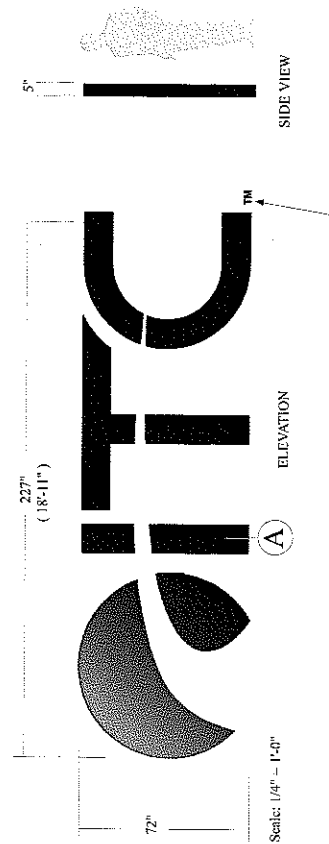
Internally illuminated with White LED modules mounted in each letter and LED power supply mounted remotely behind wall.

Electrical voltage:	120 V
LED sizes:	
Number of circuits:	One (1)



78 3/4 Sq. Ft.

**SIGNAGE ON PARKING DECK**



**LOGO AND LOGO LETTERS:**  
 72" high internally illuminated channel logo and logo letters. Silhouette style back lighting. Fabricated aluminum faces and 5" deep returns. Faces to be painted \*MAP as indicated. Color graduation light to dark, to match PMS Cyan Blue to PMS 280 Dark Blue. Returns to be painted \*MAP to match PMS 280 Dark Blue. Letters painted reflective White on inside. Clear polycarbonate backer for attaching LEDs and 2 1/2" stand-offs. Weep holes in bottom of each letter.

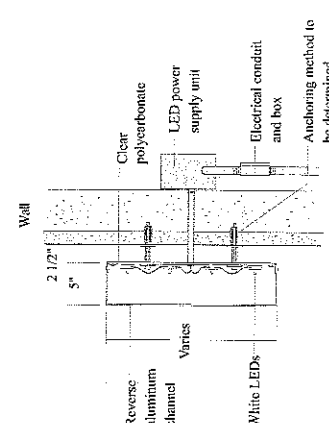
Internally illuminated with White LED modules mounted in each letter and LED power supply mounted remotely behind wall.

Electrical voltage:	120 V
LED sizes:	
Number of circuits:	One (1)

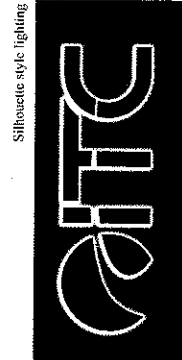


113 1/2 Sq. Ft.

1/4" cut-out aluminum, painted \*MAP to match PMS 280 Dark Blue. Flush mounted with stainless steel studs.



DETAIL THRU LETTERS



NIGHT SIMULATION

TWO (2) SETS OF INTERNALLY ILLUMINATED WALL LETTERS, ONE (1) OF EACH SIZE REQUIRED

\*MAP - Matthews Acrylic Polyurethane Paint System

**Signaphix**  
 ITC Transmission

30255 Country Club Drive, Suite B-95  
 Farmington Hills, Michigan 48331-3450  
 Ph. 248-846-1700 Fax 248-848-1722  
 www.signaphix.net

CLIENT SIGNATURE: \_\_\_\_\_  
 DATE: \_\_\_\_\_

DRAWING: 6-5-07  
 12890  
 403  
 15273

40025 West Twelve Mile Road, Novi, MI 48375

These drawings, specifications and price representation herein are the property of Signaphix, Inc. and are not to be reproduced, stored in a retrieval system, or transmitted in any form or by any means, electronic, mechanical, photocopying, recording, or by any information storage and retrieval system, without the prior written permission of Signaphix, Inc. It is not to be shown to anyone outside your organization. No part of this drawing is to be used, reproduced, exhibited or copied in any fashion whatsoever all any part of this drawing is creating reproduction trademarks remain the property of Signaphix, Inc.

