

SPECIFICATION SUBMITTAL SHEET

JOB NAME:  
FIXTURE TYPE:

CATALOG NUMBER:

RA1132 GNL I BBZ

Diffuser: 32  
Clear Prismatic Glass cylinder

Lamp Type: Incandescent

Light Source: i  
Accepts 100 Watt Maximum A19 medium base lamp (by others).

Finish: 882 - Brown Bronze

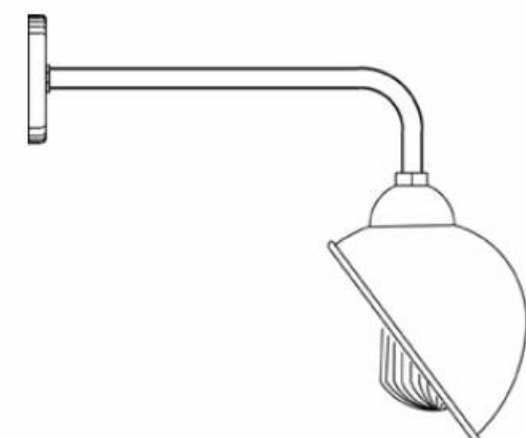
DIMENSIONS:

Width: 11.50" Height: 18"

Extension: 18.50" Mounting Ctr: 2.75"

Mounts over 4" recessed outlet box.

Manufactured in accordance with U.L. standard 1598 for Luminaires



LURALINE FIXTURE ABOVE CANOPIES

FEATURES & SPECIFICATIONS

INTENDED USE — For building- and wall-mounted applications.

CONSTRUCTION — Rugged, die-cast, single-piece aluminum housing. Die-cast door frame has a 1/8" thick tempered glass lens. Door frame is fully gasketed with one-piece solid silicone.

FINISH — Standard finish is textured dark bronze (DBT) corrosion-resistant polyester powder finish. Additional architectural colors are available; see www.lithonia.com/archcolors. Striping is also available.

OPTICAL SYSTEM — Segmented reflectors for superior uniformity and control. Reflectors are interchangeable. Three full cutoff downlight distributions available: FT (forward throw), MD (medium throw) and WT (widethrow). Six uplight distributions available: FTU (forward throw, 10% up), MDU (medium throw, 10% up), WTU (wide throw, 10% up) and MDUS (up/down medium throw, 50% up/50% down), WTUP (up/down wide throw, 50% up/50% down), WTUC (column beam).

ELECTRICAL SYSTEM — Ballast: 50W-150W utilizes a high reactance, high power factor ballast. Metal halide 150W and below are standard with pulse-start technology. 35S utilizes a reactance high power factor ballast. 175W utilizes a constant-wattage auto transformer ballast. Quick disconnect plug easily disconnects reflector from ballast. Ballasts are copper-wound and 100% factory-tested. CSA, NDM or INTL required for probe start shipments outside of the US for 175W. Not available 175W SCWA. Ceramic metal halide lamps are recommended for use in applications where superior color rendition, lumen maintenance and longer lamp life are desired.

Socket: Porcelain, medium-base socket with copper alloy, nickel-plated screw shell and center contact. UL listed 660W, 600V 4KV pulse rated.

INSTALLATION — Universal mounting mechanism with integral mounting support allows fixture to hinge down. Bubble level provides correct alignment with every installation.

LISTING — UL Listed (standard), CSA Certified (see Options). Suitable for wet locations (damp location listed in lens-up orientation). WLU option offers wet location listing in up orientation (see Options). IP65 rated. 25°C ambient.

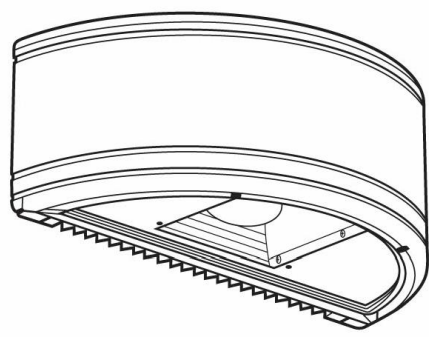
NOTE: Specifications subject to change without notice.

Catalog Number	
Notes	Type

Decorative Wall-Mounted Lighting

**WSR**

METAL HALIDE  
50W-175W  
HIGH PRESSURE SODIUM  
35W-150W



Specifications

Length: 18.0 (45.7)  
Depth: 9.0 (22.8)  
Overall Height: 7.25 (18.4)  
\*Weight: 30 lbs (13.6 kg)  
\*Weight as configured in example below.  
All dimensions are inches (centimeters) unless otherwise specified.

WALL MOUNTED LIGHT FIXTURE

FEATURES & SPECIFICATIONS

INTENDED USE

Ideal for building and wall mounted applications.

CONSTRUCTION

Rugged, corrosion-resistant die-cast aluminum back housing and hinged door frame. Castings are sealed with a one-piece gasket to inhibit the entrance of external contaminants. Lens is thermal and shock-resistant clear tempered glass. Finish is bronze polyester powder paint.

ELECTRICAL SYSTEM

Quad-tap constant wattage transformer for 175W. High reactance, high power factor for 100M and 150S. Ballast is copper wound and 100% factory tested.

OPTICAL SYSTEM

Anodized aluminum reflector, provides IES full cutoff distribution. Medium-base lamp included in carton as standard.

INSTALLATION

Housing is configured for mounting directly over a standard 4" outlet box or for surface wiring via any of three convenient 3/4" threaded conduit entry hubs.

LISTING

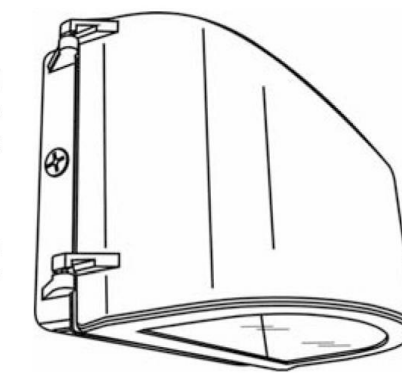
UL Listed to US safety standards. UL listed for wet locations.

Catalog Number	
Notes	Type

Full Cutoff Wall Packs

**TWR1S**

150W HIGH PRESSURE SODIUM  
100,175W METAL HALIDE



Specifications

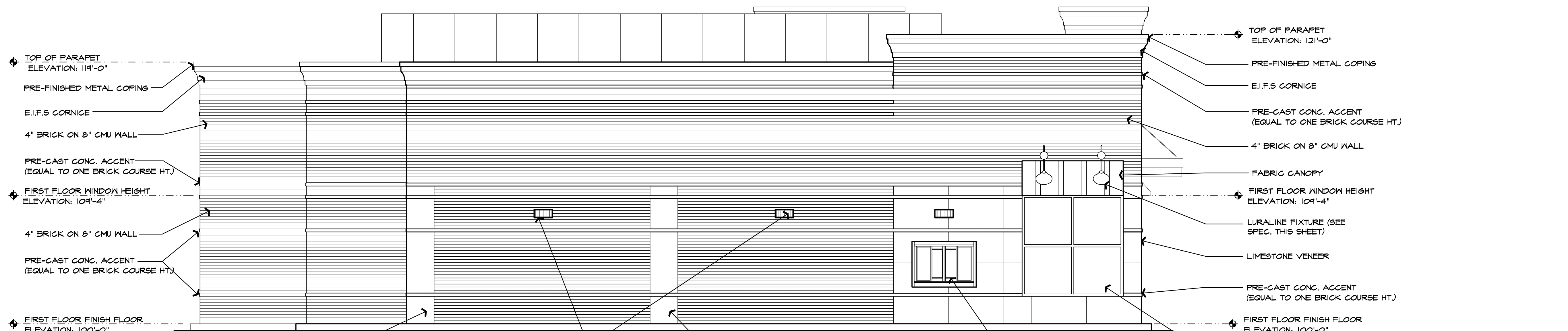
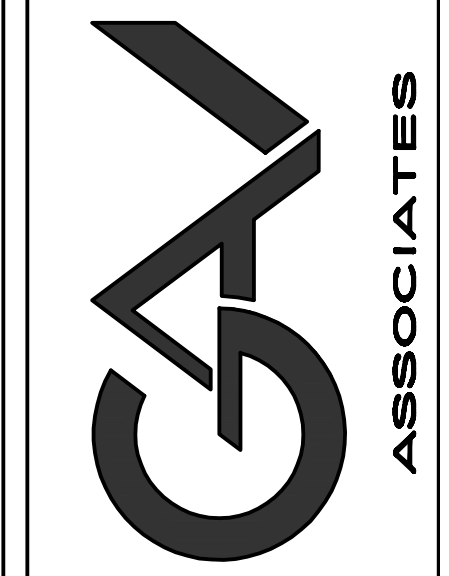
Height: 9.375 (23.8)  
Width: 14.275 (36.5)  
Depth: 8.75 (22.2)  
Weight: 14.5 (6.58 kgs)  
All dimensions are inches (centimeters) unless otherwise specified.

METAL HALIDE FIXTURE ON EAST ELEVATION

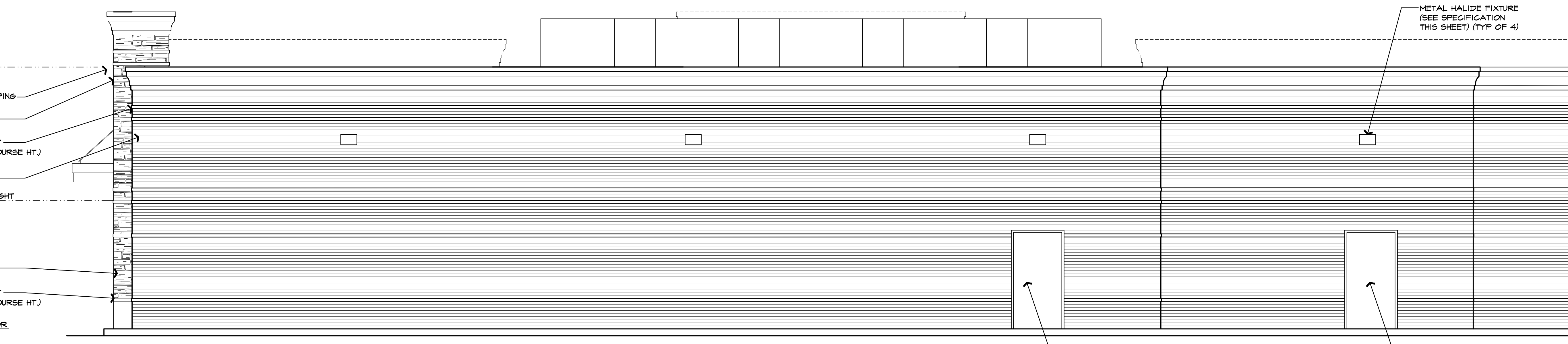
GENERAL NOTES:  
1- BUILDING SIGNS SHALL COMPLY WITH THE CITY SIGN ORDINANCE. CONTRACTOR SHALL SUBMIT DETAILED SIGN INFORMATION FOR SIGN PERMITS.  
2- FOR DRIVE THRU WINDOW SIZE & DIMENSION, REFER TO TIM HORTON'S SPECS & DETAILS BEFORE CONSTRUCTION.

ISSUED FOR	DATE
SITE PLAN REVIEW	04/09/09
REVISION	02/24/10

**ARCHITECTURAL DESIGN**  
RESIDENTIAL COMMERCIAL INDUSTRIAL  
G.A.V. & ASSOCIATES, INC.  
31471 NORTHWESTERN HWY., SUITE #2  
FARMINGTON HILLS, MI, 48334  
(248) 985-9101  
FAX (248) 985-9105  
EMAIL: GAV@GAVASSOCIATES.COM



**NORTH ELEVATION**  
SCALE: 1/4"=1'-0"



**EAST ELEVATION**  
SCALE: 1/4"=1'-0"

PROPOSED GAS STATION FOR:  
USA 2 60  
NOV, MICHIGAN

DRAWN:	DESIGNED:	CHECKED:
JM	GA	GA
SCALE : 1/4" = 1'-0"		
FILE NAME : 0907B_A401		
JOB # : 0907B		
SHEET TITLE		
ELEVATIONS		
SHEET #		
<b>A.402</b>		