



CITY of NOVI CITY COUNCIL

**Agenda Item 2
July 25, 2016**

SUBJECT: Approval to purchase a 2017 Sutphen Monarch Severe Duty Custom Chassis Tanker/Pumper for the Novi Fire Department from Sutphen Corporation, through the Houston-Galveston Area Council of Governments (HGAC Buy) competitive purchasing contract, for \$432,138.29.

SUBMITTING DEPARTMENT: Public Safety – Fire Department *DEM*

CITY MANAGER APPROVAL: *[Signature]*

EXPENDITURE REQUIRED	\$432,138.29
AMOUNT BUDGETED	\$433,335.00
APPROPRIATION REQUIRED	N/A
LINE ITEM NUMBER	101-337.00-979.000

BACKGROUND INFORMATION:

As part of the 2016-17 Budget, funds were approved for the purchase of a new tanker. The current Tanker is a 1997 Chevrolet two-person cab with 15,391 miles, over 19 years of service, a 1500 gallon tank, and has a 500 gallon per minute pump. The primary use for this tanker is to supply water for non-hydrant areas, but has been utilized when a primary engine is taken out of service for repairs or maintenance.

The proposed replacement vehicle is a 2017 Sutphen Monarch Severe Duty Custom Chassis Tanker/ Pumper. This new Tanker/ Pumper will be equipped with a 1250 GPM Hale QFLO pump, 1500 gallon polypropylene tank, and a 30 gallon on board Foam Logix Class A Direct Inject Foam System. There will also be an increased lighting package for safety while responding to emergency incidents, additional scene lighting, and custom storage compartments that will allow similar equipment storage as the current engine setup.

The tanker will be purchased through the HGAC Buy competitive purchasing contract from Sutphen Corporation. Delivery time is 8-10 months. Upon removal from service the 1997 tanker will be placed on the Michigan Inter-governmental Trade Network (MITN) surplus auction.

RECOMMENDED ACTION: Approval to purchase a 2017 Sutphen Monarch Severe Duty Custom Chassis Tanker/Pumper for the Novi Fire Department from Sutphen Corporation, through the Houston-Galveston Area Council of Governments (HGAC Buy) competitive purchasing contract, for \$432,138.29.

	1	2	Y	N
Mayor Gatt				
Mayor Pro Tem Staudt				
Council Member Burke				
Council Member Casey				

	1	2	Y	N
Council Member Markham				
Council Member Mutch				
Council Member Wrobel				

MEMORANDUM



TO: DAVID E. MOLLOY, DIRECTOR OF PUBLIC SAFETY
JEFFERY R. JOHNSON, DIRECTOR OF EMS/FIRE OPERATIONS

FROM: MARK THEISEN, CAPTAIN

SUBJECT: TANKER ONE REPLACEMENT

DATE: JULY 4, 2016

An apparatus committee was formed to look at the needs of a new Tanker One that has been approved for the 2016/17 budget. The committee consisted of Captain Theisen, Lt Bunse, Lt Reisner, FPO Pierce, and FF Pehrson to design and build a new Tanker/Pumper to meet the needs of the Novi Fire Department.

The Novi Fire Department is constantly monitoring the essential fire apparatus in order to make sure that our fleet is well maintained and in good general working condition. The current Tanker One is a 1997 Chevrolet two-person cab with 15,391 miles, a 1500 gallon tank, and 500 gallon per minute pump. The primary use for this tanker is to supply water for non-hydrant areas, but has been utilized when a primary engine is taken out of service for repairs or maintenance.

The proposed replacement vehicle is a 2017 Sutphen Monarch Severe Duty Custom Chassis Tanker/ Pumper. This new Tanker/ Pumper will be equipped with a 1250 GPM Hale QFLO pump, 1500 gallon polypropylene tank, and a 30 gallon on board Foam Logix Class A Direct Inject Foam System. There will also be an increased lighting package for safety while responding to emergency incidents, additional scene lighting, and custom storage compartments that will allow similar equipment storage as the current engine setup.

The preliminary cost for the Tanker/Pumper was submitted to HGAC pricing. This contract pricing insures that we will get the lowest price available for the Sutphen Tanker/Pumper. The City of Novi belongs to HGAC Buy and has utilized this pricing with other projects so we will not have to go out for bid with other apparatus manufacturers.

The budgeted amount for the Tanker replacement is \$433,335. The current HGAC pricing for the new Sutphen Tanker/Pumper is \$432,138.29 which includes all loose equipment.

Please contact me with any additional questions or comments.





Aerial Apparatus
Platforms | Ladders

Pumpers
Custom | Commercial

Chassis
Monarch

Specialty Apparatus
Heavy Rescue | Tanker | Wildland | Industrial

Find a Dealer

 Search

Français | Português | 中文 | Español

Monarch



Like 2,076 people like this.

Monarch Extreme Duty Chassis

Description Sutphen Monarch Extreme Duty Chassis

[Download Brochure](#)

[Recent Deliveries](#)

Since 1968, our experience and focus on the fire service have driven Sutphen to build the industry's most Extreme Duty Chassis. Every inch of our custom chassis is built to withstand the most severe firefighting conditions. From the cab construction, heavy wall 6061 T6 aluminum extrusions and heavy duty aluminum plate, to the steel box tube design Subframe under cab, our chassis provides superior crash protection and is fully certified to meet all ASME and ECE standards. Our standard double frame rails, cross members, and suspension hangers are Huck Bolted with Grade 8 fasteners, and are bead blasted to prep the surface for better adhesion of the Cathacoat primer and durable Imron top coat paint to ensure that it will be long lasting and safe from corrosion. The front and rear suspension work together resulting in superior handling, a smoother ride, and better turning radius. Interior durability is just as important. We utilize high quality, extreme duty products to provide a rugged interior. There are no plastic trim panels, only heavy duty Durawear seats, headliners, and back wall; full length stainless steel interior door panels; and, durable urethane coated dash, switch console, and engine hood. The bumper is 10-gauge #304 Stainless steel, reinforced with a 1/2" steel plate for added crash protection. The grille and headlight housings are 14-gauge #304 stainless steel, never plastic, for durability, and give the chassis that classic Sutphen look. From the moment you see it, you know it's a Sutphen, and it's built to last.

[Home](#)

[Merchandise](#)

[Contact Us](#)

[History](#)

[Service & Refurb](#)

[Dealer Map / Locator](#)

[Co-Op Purchasing](#)

[Sutphen Locations](#)

[News](#)

[Recent Deliveries](#)

[FAQ](#)

[Career Opportunities](#)

Stay Up to Date

(Receive News, Updates, Releases)

SUBSCRIBE



Sutphen Corporation

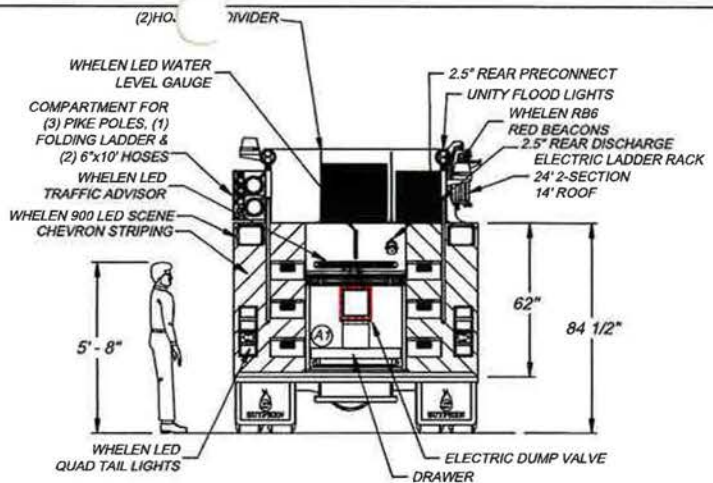
Like 19K

Copyright 2016 Sutphen Admin Section

Google Translate

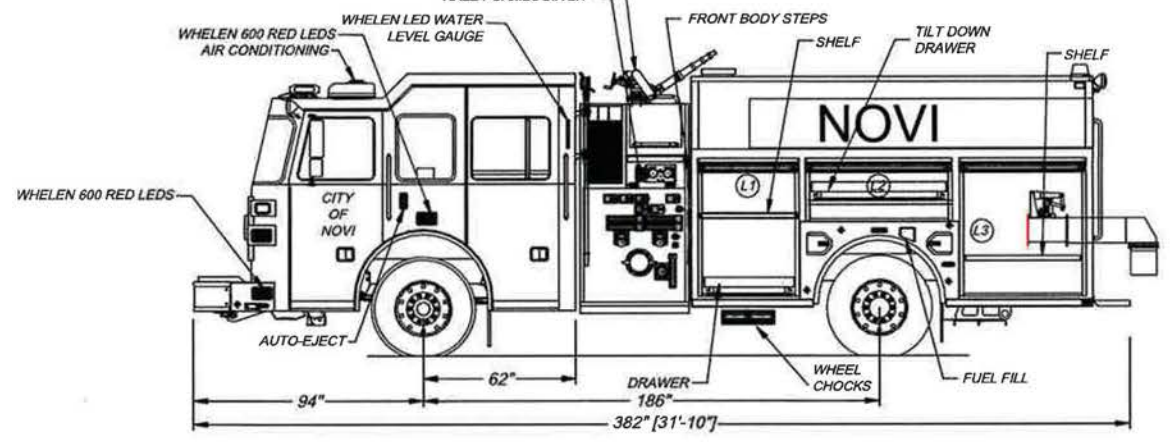
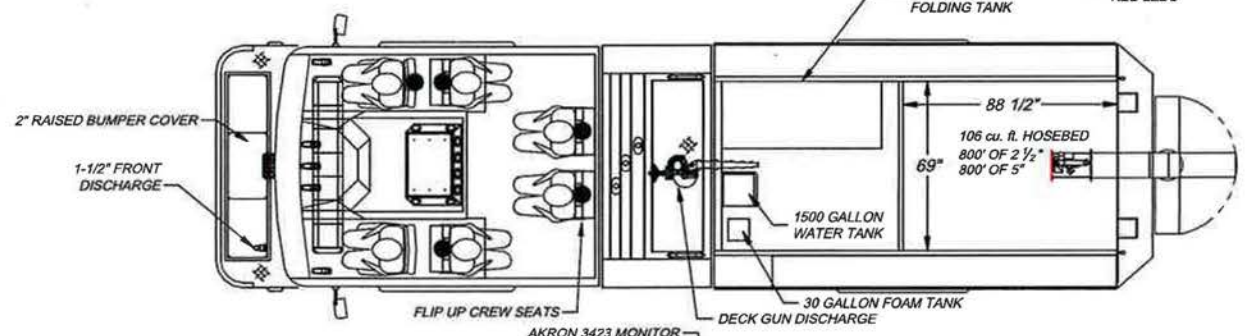
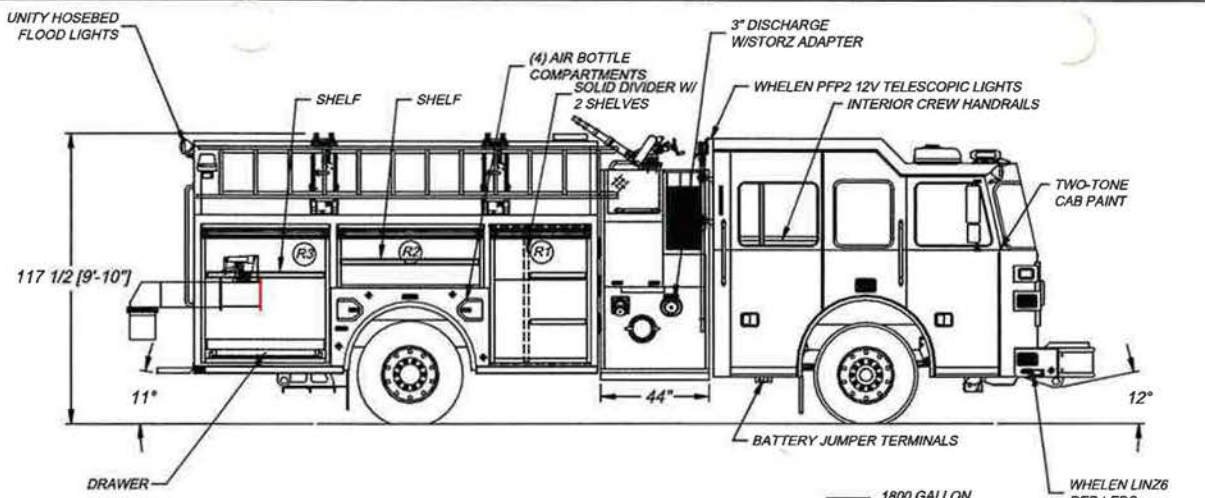
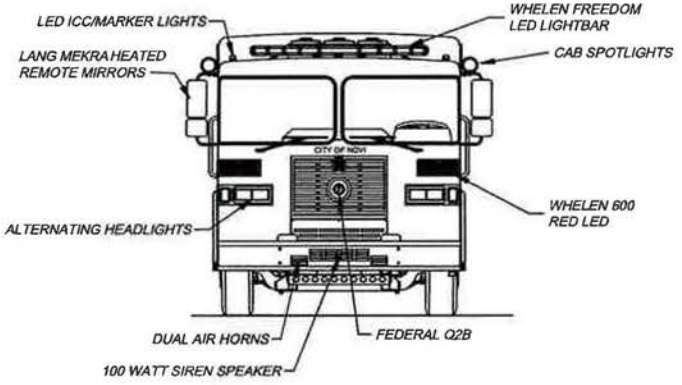
Powered by





LEFT SIDE COMPARTMENTATION			
COMPT	DOORS	DIMENSIONS	VOLUME
L1	ROLL-UP	40"W X 51 1/2"H X 26"D	28 CU. FT.
L2	ROLL-UP	59"W X 21 1/2"H X 14 1/2"D	11 CU. FT.
L3	ROLL-UP	51 1/2"W X 51 1/2"H X 26"D	40 CU. FT.
14 1/2" DEEP, UPPER			
FULL HEIGHT, FULL DEPTH			
RIGHT SIDE COMPARTMENTATION			
COMPT	DOORS	DIMENSIONS	VOLUME
R1	ROLL-UP	40"W X 51 1/2"H X 26"D	28 CU. FT.
R2	ROLL-UP	59"W X 21 1/2"H X 14 1/2"D	11 CU. FT.
R3	ROLL-UP	51 1/2"W X 51 1/2"H X 26"D	40 CU. FT.
14 1/2" DEEP, UPPER			
FULL HEIGHT, FULL DEPTH			
REAR STEP COMPARTMENT			
COMPT	DOORS	DIMENSIONS	VOLUME
A1	ROLL-UP	39 1/2"W X 39"H X 31"D	37 CU. FT.
REAR CREW SEAT COMPARTMENT			
COMPT	DOORS	DIMENSIONS	VOLUME
C1	HINGED	47"W X 15 1/2"H X 16 1/2"D	8 CU. FT.

TOTAL STORAGE: 193 CU. FT.



DIMENSIONS SHOWN ON THIS DRAWING ARE APPROXIMATE AND ARE SUBJECT TO MINOR DEVIATIONS DURING CONSTRUCTION.

IN THE EVENT OF A DISCREPANCY BETWEEN THE SUTPHEN SPECIFICATIONS AND DRAWING, THE SUTPHEN SPECIFICATIONS SHALL PREVAIL.

DRAWING IS FOR REFERENCE ONLY. SOME ITEMS PROPOSED MAY NOT BE SHOWN OR NOTED.

CUSTOMER APPROVAL

NAME: _____

TITLE: _____

DATE: _____

REV.	DESCRIPTION	BY	DATE

DRAWN BY: FAULKNER

DATE: 5/10/2016

MFG. FACILITY: SPRINGFIELD

SUTPHEN

CITY OF NOVI FIRE DEPARTMENT
NOVI, MI

PROGRAM 1 CUSTOM PUMPER, G7 BODY

REV. NO: HS-NOVI, MI (G7 2016)

THIS PRINT IS PROVIDED ON A RESTRICTED BASIS AND IS NOT TO BE USED IN ANY WAY DETRIMENTAL TO THE INTEREST OF SUTPHEN CORPORATION.

CITY OF NOVI

PUBLISHED OPTIONS

Add, Change, Delete	OPTION #	QTY	DESCRIPTION	UNIT PRICE	EXTENDED PRICE	With 15% Discount
A	10000300	1	**PRECONSTRUCTION CONFERENCE - PER PERSON, PER TRIP (1)	\$1,250.00	\$1,250.00	\$1,250.00
A	10000310	1	**INSPECTION TRIPS - PER PERSON, PER TRIP (1)	\$1,250.00	\$1,250.00	\$1,250.00
D	11023291	-1	CAB TSAL4J 62" FLAT	\$656.63	-\$656.63	-\$558.14
A	11023292	1	CAB TSAL4K 62" 10" RR 1/2	\$919.28	\$919.28	\$781.39
D	11031400	-1	DELETE CAB SIDE WINDOWS	\$0.00	\$0.00	\$0.00
A	11031401	1	CAB SIDE WINDOWS, FIXED	\$345.63	\$345.63	\$293.79
D	11031419	-1	CAB DOOR WINDOWS, MANUAL	\$0.00	\$0.00	\$0.00
A	11031421	1	CAB DOOR WINDOWS, POWER	\$1,631.53	\$1,631.53	\$1,386.80
D	11031670	-1	NO STORAGE ON ENGINE ENCLOSURE	\$0.00	\$0.00	\$0.00
A	11031670	1	CENTER CONSOLE W/MAP BOOK STORAGE, TOP OF ENGINE ENCLOSURE	\$536.35	\$536.35	\$455.90
A	11040000	1	CAB ACCESSORY FUSE PANEL	\$501.16	\$501.16	\$425.99
A	12030205	1	AIR HORNS WIRED TO STEERING WHEEL BUTTON	\$88.45	\$88.45	\$75.18
A	12030310	1	FOOT SWITCH, OFFICER'S SIDE	\$88.45	\$88.45	\$75.18
D	12030350	-1	LANYARD CONTROL FOR AIR HORNS	\$88.45	-\$88.45	-\$75.18
A	12530305	1	FOOT SWITCH, DRIVER'S SIDE, FOR ELEC SIREN	\$88.45	\$88.45	\$75.18
A	12710100	1	SIREN, FEDERAL Q2B, FLUSH GRILLE MOUNT	\$2,664.96	\$2,664.96	\$2,265.22
A	12730205	1	MECH SIREN WIRED TO STEERING WHEEL BUTTON	\$88.45	\$88.45	\$75.18
A	12730310	1	FOOT SWITCH, OFFICER'S SIDE, FOR MECH SIREN	\$88.45	\$88.45	\$75.18
D	13010050	-1	ALTERNATOR, LEECE NEVILLE 270 AMP 4949PA	\$0.00	\$0.00	\$0.00
A	13010205	1	ALTERNATOR, LEECE NEVILLE 320 AMP 4962PA	\$502.33	\$502.33	\$426.98
D	14010505	-1	FRONT AXLE, MERITOR MFS-18-133A 18,000 LB.	\$0.00	\$0.00	\$0.00
D	14510520	-1	REAR AXLE, MERITOR RS-24-160 24,000 LB.	\$0.00	\$0.00	\$0.00
A	14510540	1	REAR AXLE, MERITOR RS-30-185 31,000 LB.	\$4,408.81	\$4,408.81	\$3,747.49
D	14530100	-1	TOP SPEED, 68 MPH	\$0.00	\$0.00	\$0.00
A	14530150	1	TOP SPEED, 60 MPH	\$0.00	\$0.00	\$0.00
A	15030550	1	KUSSMAUL 091-55-20-120 (VOLT) 20 AMP SUPER AUTO EJECT W/ WP COVER	\$581.31	\$581.31	\$494.11
A	15031455	1	KUSSMAUL 1200 W/MANUAL SHORE LINE & 120V PUMP PLUS (FOR 20 AMP A/E)	\$3,055.94	\$3,055.94	\$2,597.55
D	15031575	-1	IOTA DLS-45 45AMP 12VDC CONVERTER, MANUAL SHORELINE	\$489.84	-\$489.84	-\$416.36
D	16010009	-1	BRAKES MERITOR SCAM 6" FRT 7" REAR	\$0.00	\$0.00	\$0.00
A	16010250	1	BRAKES MERITOR DISC PLUS EX225 FRONT ONLY	\$2,277.69	\$2,277.69	\$1,936.04
D	20010075	-1	BUMPER, 12" EXTENSION	\$0.00	\$0.00	\$0.00
A	20010085	1	BUMPER, 24" EXTENSION	\$425.49	\$425.49	\$361.67
A	20030100	1	TREADPLATE COVER FOR BUMPER TROUGH	\$674.74	\$674.74	\$573.53
A	20040215	1	STORAGE WELL, DEEP CENTER, FULL WIDTH (24" BUMPER)	\$655.33	\$655.33	\$557.03
D	23013300	-1	CUMMINS ISL 9 330HP DOC-DPF-DEF-SCR OBD	\$0.00	\$0.00	\$0.00
A	23013340	1	CUMMINS ISL 9 450HP DOC-DPF-DEF-SCR OBD	\$7,293.00	\$7,293.00	\$6,199.05
A	23031175	1	FLEETGUARD FH230 FUEL/WATER SEPARATOR	\$640.94	\$640.94	\$544.80
D	24040000	-1	DIESEL EXHAUST FLUID TANK	\$0.00	\$0.00	\$0.00
A	24040000	1	DIESEL EXHAUST FLUID TANK	\$0.00	\$0.00	\$0.00
D	25010000	-1	FRAME, 10" SINGLE RAILS, SINGLE AXLE (50K PSI)	\$0.00	\$0.00	\$0.00
A	25010100	1	FRAME, 10" DOUBLE RAILS, SINGLE AXLE (50K PSI)	\$615.63	\$615.63	\$523.29
A	27030007	1	HANDRAILS, REAR CAB INTERIOR DOOR WINDOW KNURLED STS	\$368.54	\$368.54	\$313.26
A	28090003	1	HEAT TO FEET	\$514.80	\$514.80	\$437.58
A	30031775	1	12V POWER POINTS, (2)	\$161.50	\$161.50	\$137.28
A	32510000	1	HEADLIGHTS, HALOGEN, DUAL STS HOUSINGS	\$1,575.90	\$1,575.90	\$1,339.52
D	32520650	-1	HEADLIGHTS, HALOGEN, SINGLE STS HOUSING	\$0.00	\$0.00	\$0.00
D	38010015	-1	MIRRORS LANG MEKRA 300 SERIES REMOTE	\$0.00	\$0.00	\$0.00
A	38010020	1	MIRRORS LANG MEKRA 300 SERIES HEATED & REMOTE	\$653.68	\$653.68	\$555.63
D	38320000	-5	HELMET STORED IN COMPARTMENT	\$0.00	\$0.00	\$0.00
A	38320000	6	HELMET STORED IN COMPARTMENT	\$0.00	\$0.00	\$0.00
A	39521401	1	CREW SEAT4, BOSTROM TANKER 300CT ABTS SCBA FLIP UP (VINYL)	\$780.08	\$780.08	\$663.07
A	39610000	5	SCBA BRACKETS, BOSTROM, SECURE ALL(5)	\$278.04	\$1,390.20	\$1,181.67
D	39610105	-4	SCBA BRACKETS, ZIAMATIC, LOAD & LOCK(4)	\$0.00	\$0.00	\$0.00
A	39710000	1	CREW SEAT COMPT, SIDE DOORS	\$187.80	\$187.80	\$159.63
D	39710005	-1	CREW SEAT COMPT, OPEN SIDES	\$0.00	\$0.00	\$0.00
D	41010015	-1	SUSPENSION FRONT 18,000# 54" LEAF	\$0.00	\$0.00	\$0.00
D	42010000	-1	SUSPENSION REAR REYCO 24,000# LEAF	\$0.00	\$0.00	\$0.00

A	42010500	1	SUSPENSION REAR REYCO 31,000# LEAF	\$0.00	\$0.00	\$0.00
D	43010300	-1	FRONT TIRES GOODYEAR 315/80R22.5 LRL G291 HWY 22.5 X 9 WHEELS	\$0.00	\$0.00	\$0.00
D	44010305	-1	TIRES, REAR, GOODYEAR 12R22.5 X 8.25 LRH G661 HIGHWAY 24,000 - 27,000 GVWR	\$0.00	\$0.00	\$0.00
A	44010330	1	TIRES, REAR, GOODYEAR 315/80R22.5 LRJ RHD2 MUD & SNOW, 31,000 GVWR	\$1,211.25	\$1,211.25	\$1,029.56
D	44080050	-1	WHEELS, STEEL (max 27K rear)	\$0.00	\$0.00	\$0.00
A	44215100	1	WHEELS, ALUM, ACCURIDE (max 31K rear)	\$640.69	\$640.69	\$544.59
A	48010300	1	WHELEN 400 SERIES LED FRONT TURN SIGNALS (4)	\$480.98	\$480.98	\$408.83
D	48090000	-1	FRONT TURN SIGNALS, TRUCK LITE, HALOGEN (2)	\$0.00	\$0.00	\$0.00
A	60028310	1	(1) PRIMER BUTTON - MAIN SUCTION	\$0.00	\$0.00	\$0.00
A	60031005	1	ALLOY ANODES, HALE	\$212.29	\$212.29	\$180.45
D	60090020	-1	PUMP PRIMER, HALE, T-HANDLE	\$0.00	\$0.00	\$0.00
A	60090030	1	PUMP PRIMER, TRIDENT, AIR	\$361.15	\$361.15	\$306.98
A	61729120	8	VALVE, AKRON, HEAVY DUTY	\$51.00	\$408.00	\$346.80
A	61840260	1	ADAPTER, 3" NST FE X 5" STORZ W/CAP & CHAIN, TFT	\$238.00	\$238.00	\$202.30
A	63034650	2	ADAPTER, 6" NST FE X 5" STORZ, 30 DEGREE W/CAP & CHAIN, TFT	\$294.10	\$588.20	\$499.97
D	71025900	-1	2.5" DISCHARGE, RIGHT - Position 3	\$1,366.40	-\$1,366.40	-\$1,161.44
A	71025905	1	3" DISCHARGE, RIGHT - Position 3	\$1,834.66	\$1,834.66	\$1,539.46
A	71890000	1	DISCHARGE 2.5" RIGHT REAR	\$2,356.63	\$2,356.63	\$2,003.14
A	72290000	1	1.5" FRONT BUMPER DISCHARGE, 2" PLUMBING	\$3,499.75	\$3,499.75	\$2,974.79
A	72554800	1	MONITOR, AKRON 3423 APOLLO	\$3,894.08	\$3,894.08	\$3,309.97
D	72890000	-1	CROSSLAYS, TWO 2" W/1.5" SWIVEL	\$0.00	\$0.00	\$0.00
A	72890010	1	CROSSLAYS, TWO 1.5" & ONE 2.5" W/SWIVELS	\$4,218.19	\$4,218.19	\$3,585.46
A	73590000	1	HALE FOAMLOGIX 2.1 W/ 20 GAL TANK & INTELLI-TANK GAUGE	\$7,962.24	\$7,962.24	\$6,767.90
D	75590000	-1	PUMP PANEL LIGHTING, HALOGEN	\$0.00	\$0.00	\$0.00
A	75590010	1	PUMP PANEL LIGHTS, LED	\$390.21	\$390.21	\$331.68
A	76031900	1	AIR HORN PUSH BUTTON SWITCH ON PUMP PANEL	\$161.46	\$161.46	\$137.24
A	77532103	1	GAUGE, WATER LEVEL, WHELEN PSTANK LED (3)	\$2,004.69	\$2,004.69	\$1,703.99
A	80250100	14	TURTLE TILE ON COMPT FLOOR, SHELF, TRAY OR DRAWER	\$129.20	\$1,808.80	\$1,537.48
D	80290007	-1	DOORS, ROM ROLL-UP, SATIN FINISH	\$0.00	\$0.00	\$0.00
A	80290015	1	COMPT DOORS, ROM ROLL-UP, SATIN FINISH	\$0.00	\$0.00	\$0.00
A	81130200	6	ADJUSTABLE SHELF	\$242.21	\$1,453.26	\$1,235.27
A	81140100	1	FIXED VERTICAL DIVIDER	\$438.60	\$438.60	\$372.81
A	81150100	2	250# ROLL OUT DRAWER ADJUSTABLE TRACK	\$1,613.83	\$3,227.66	\$2,743.51
A	81150200	1	250# SLIDE-MASTER SLIDE OUT/TILT DOWN DRAWER	\$898.44	\$898.44	\$763.67
A	81150300	1	600# SLIDE-MASTER TRAY [A1] (1)	\$807.36	\$807.36	\$686.26
A	81330302	1	HOSE BED DIVIDERS, ADJ (2)	\$1,291.78	\$1,291.78	\$1,098.01
D	82290000	-1	DELETE FRONT BODY STEPS	\$0.00	\$0.00	\$0.00
A	82290001	1	STEPS, FRONT BODY	\$347.84	\$347.84	\$295.66
D	82390000	-1	STEPS, REAR BODY (8x8)	\$0.00	\$0.00	\$0.00
A	82390001	1	STEPS, REAR BODY (14x11 & 14x8)	\$309.99	\$309.99	\$263.49
D	83525000	-1	WATER TANK BRAND, UNSPECIFIED	\$0.00	\$0.00	\$0.00
A	83525100	1	WATER TANK BRAND, UPF	\$0.00	\$0.00	\$0.00
D	83590004	-1	WATER TANK, 750 GAL, POLY	\$3,087.10	-\$3,087.10	-\$2,624.04
A	83590100	1	REAR DUMP VALVE 8"	\$4,023.09	\$4,023.09	\$3,419.63
A	84541550	1	POWER & GROUND STUDS, UNDER OFFICER'S SEAT	\$796.04	\$796.04	\$676.63
A	84550110	1	LICENSE PLATE BRACKET W/ LIGHT, LED	\$60.33	\$60.33	\$51.28
D	84550199	-1	LICENSE PLATE BRACKET - NOT PROVIDED	\$0.00	\$0.00	\$0.00
A	85010302	1	TAIL/TURN/BACKUP, WHELEN 600, LED, QUAD	\$709.38	\$709.38	\$602.97
D	85090001	-1	WHELEN HALOGEN QUAD CLUSTER TAIL LIGHTS W/HALOGEN BACKUP LIGHTS	\$0.00	\$0.00	\$0.00
D	85110000	-1	ICC LIGHTS	\$0.00	\$0.00	\$0.00
A	85110100	1	ICC LIGHTS, LED	\$442.25	\$442.25	\$375.91
D	85710000	-1	UNDERCARRIAGE GROUND LIGHTS, HALOGEN	\$0.00	\$0.00	\$0.00
A	85710010	1	UNDERCARRIAGE GROUND LIGHTS, LED	\$562.50	\$562.50	\$478.13
D	86510000	-1	WORK LIGHTS, UNITY AG SPOT	\$0.00	\$0.00	\$0.00
A	86537811	1	SCENE LIGHTS, WHELEN 900 LED, SURFACE MOUNT (PAIR) (1)	\$1,554.71	\$1,554.71	\$1,321.50
A	87040000	1	TRAFFIC ADVISOR, WHELEN LED TAL65 36"	\$1,838.44	\$1,838.44	\$1,562.67
D	87080510	-1	WHELEN LED JUSTICE 62" - L31HRFN	\$1,585.30	-\$1,585.30	-\$1,347.51
A	87090001	1	WHELEN FREEDOM 8 LED LIGHT BAR - RB6 BEACONS	\$893.75	\$893.75	\$759.69
A	87537731	2	WARNING LIGHTS, WHELEN 600, SUPER LED (PAIR) (2)	\$644.55	\$1,289.10	\$1,095.74
A	88391080	2	LIGHT, WHELEN, PFP2, TELESCOPIC, 12V LED (2)	\$2,680.46	\$5,360.92	\$4,556.78
A	88520100	1	SUCTION HOSE, (2) 10' SECT 6" KOCHER LIGHTWEIGHT	\$0.00	\$0.00	\$0.00
D	88520300	-1	DELETE 6" SUCTION HOSE	-\$789.29	\$789.29	\$670.90
A	88540100	1	SUCTION HOSE MOUTING, DIAMOND PLATE TROUGHS	\$0.00	\$0.00	\$0.00
D	88540550	-1	DELETE STD SUCTION HOSE MTG	-\$793.69	\$793.69	\$674.64
A	88550100	1	STRAINER, 6" KOCHER BARREL	\$0.00	\$0.00	\$0.00

D	88550300	-1	STRAINER NOT PROVIDED			
A	89590001	1	ZIAMATIC QUIC-LIFT ELECTRIC LADDER RACK	\$5,298.05	\$5,298.05	\$4,503.34
D	89590002	-1	LADDER CHUTE W/BACKBOARD STORAGE	\$0.00	\$0.00	\$0.00
A	90030005	1	TWO TONE CAB TO BOTTOM OF WINDSHIELD	\$1,474.15	\$1,474.15	\$1,253.03
A	90510000	1	3" LETTERING, SCOTCHLITE, UP TO 40	\$919.28	\$919.28	\$781.39
D	90510100	-1	LETTERING, NOT PROVIDED	\$0.00	\$0.00	\$0.00
D	90610000	-1	4" SCOTCHLITE STRIPE	\$383.99	-\$383.99	-\$326.39
A	90610200	1	6" SCOTCHLITE STRIPE AROUND TRUCK	\$483.28	\$483.28	\$410.79
A	90630100	2	1" SCOTCHLITE STRIPE ABOVE OR BELOW - EACH (2)	\$403.69	\$807.38	\$686.27
A	90630500	1	ONE PIECE "Z" STRIPE (UNDER 11-3/4")	\$465.55	\$465.55	\$395.72
A	90670020	1	CHEVRON STRIPING, FRONT BUMPER, REFLEXITE	\$640.63	\$640.63	\$544.54
A	91030700	1	ZIAMATIC SAC-44 FOLDING WHEEL CHOCKS MTD W/ SQCH-44H HOLDERS (PAIR)	\$807.36	\$807.36	\$686.26
TOTAL PUBLISHED OPTIONS					\$99,882.63	\$85,275.23

CITY OF NOVI

NON-PUBLISHED OPTIONS					
Add, Change, Delete	OPTION #	QTY	DESCRIPTION	UNIT PRICE	EXTENDED PRICE
A	11088888	1	ADJUST COST OF POWER WINDOWS	-\$789.14	-\$789.14
A	14010520	1	FRONT AXLE, MERITOR MFS-18-133A 19,000 LB.	\$0.00	\$0.00
A	28088888	1	SPECIAL ITEM, AUX POWER FOR TIC/HANDLIGHTS	\$645.00	\$645.00
A	32588888	1	SPECIAL ITEM, MOUNT FD PROVIDED ANNTENNAS	\$490.00	\$490.00
A	41010105	1	SUSPENSION FRONT 19,000# 54" LEAF	\$0.00	\$0.00
A	42910200	1	TIRE PRESSURE MONITOR, REAL WHEELS, LED	-\$228.83	-\$228.83
A	43010301	1	FRONT TIRES GOODYEAR 315/80R22.5 289 WHA	\$143.44	\$143.44
A	71888888	1	SPECIAL ITEM, MOVE DISCHARGE INTO THE HOSEBED	\$500.00	\$500.00
A	80288888	1	BODY MODIFICATION TO ALLOW 1500 GALLON WATER TANK	\$1,518.01	\$1,518.01
A	81188888	2	ADJUST PRICE OF #250 ROLL-OUT DRAWER	-\$494.06	-\$988.12
A	83588888	1	SPECIAL ITEM, NEWTON 10" SQUARE ELECTRIC DUMP	\$750.00	\$750.00
A	83590006	1	WATER TANK, 1500 GAL, POLY	\$7,650.00	\$7,650.00
A	84541540	1	POWER & GROUND STUDS, UPPER COMMAND CONSOLE	\$248.59	\$248.59
A	84588888	1	SPECIAL ITEM, RUN AUX POWER	\$200.00	\$200.00
A	85788888	1	SPECIAL ITEM, "A" PILLAR SPOT LIGHTS PAIR	\$700.00	\$700.00
A	86528888	1	REAR WORK LIGHTS, (2) UNITY P46WLC FLOOD, LED	\$182.75	\$182.75
A	87588888	1	SPECIAL ITEM, FD PROVIDED OPTI COM	\$270.00	\$270.00
A	87590888	1	UPGRADE WARNING LIGHTS	\$1,550.00	\$1,550.00
A	89988888	1	SPECIAL ITEM, PORTA TANK STORAGE	\$2,489.05	\$2,489.05
A	91088888	1	PRICE ADJUSTMENT AS PREVIOUSLY NEGOTIATED	-\$7,166.82	-\$7,166.82
A	91088888	1	DEALER SUPPLIED EQUIPMENT	\$17,962.86	\$17,962.86
TOTAL NON-PUBLISHED OPTIONS					\$26,126.79