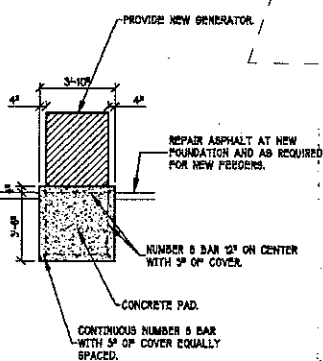


ENLARGED PLAN
SCALE 1/4" = 1'-0"



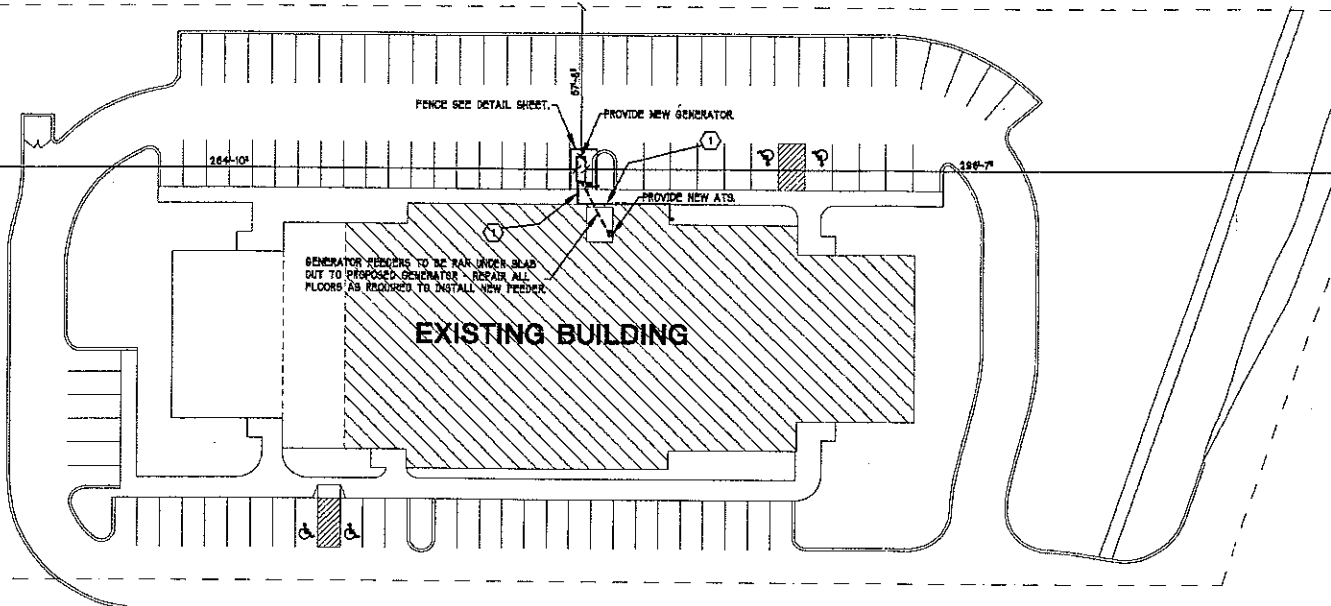
SECTION
SCALE 1/4" = 1'-0"

GENERAL NOTES NO SUPPLY

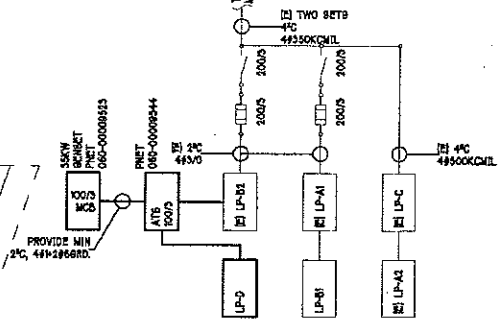
- A. GAS LINE RELOCATION WORK TO BE PERFORMED TO THE HIGHEST LOCAL CODES AND STANDARDS IN REGARDS TO SAFETY AND DESIGN FOR ALL NEW INSTALLATION, DEMOLITION AND REWORK. PROVIDE UNION, DIRT LEG AND NG RATED 1/2 TURN PLUG VALVE (ANSI Z21.15) FOR EACH NG CONNECTION.
- B. PLUMBING RUNS MAY REQUIRE A SLIGHTLY DIFFERENT PATH THAN AS SHOWN DUE TO MINOR INTERFERENCES, CONTRACTOR TO VERIFY THAT PLUMBING PATH IS ACCEPTABLE TO CODES.
- C. ALL NEW NG PIPE TO BE PAINTED W/ (H) COAT PRIMER & (H) COAT SAFETY YELLOW.

KEYED NOTES FOR NG PIPE WORK

1. NEW CONNECTION TO EXISTING NG SERVICE. COORDINATE WITH GAS COMPANY FOR PROPER INSTALLATION. PROVIDE ALL REQ'D MAT'L & LABOR FOR INSTALLATION.
2. RUN NEW 1 1/2" NG LINE FOR CONNECTION TO NEW GENERATOR. RUN DASHED LINE UNDERGROUND. USE UNDERGROUND APPROVED PIPE FOR UNDERGROUND LEG. CONSULT WITH CONSUMERS ENERGY CONTACT (BRIAN 734 524 6331 FOR PIPE INFO IF REQ'D. VERIFY THAT DELIVERED NG PRESSURE W/IN MFG REQ'S.



SITE PLAN
SCALE 1" = 30'-0"



ONE-LINE DIAGRAM
SCALE NOT TO SCALE

GENERAL NOTES

1. LANDSCAPING TO REMAIN AS EXISTING (NO CHANGE PROPOSED)
2. SITE LIGHTING TO REMAIN AS EXISTING
3. SITE SIGNAGE TO REMAIN AS EXISTING
4. PARKING TO REDUCED BY 1
5. NO CHANGE IN IMPERVIOUS SURFACE PROPOSED.
6. NO CHANGE IN SETBACKS PROPOSED

LINE	NO.	DESCRIPTION	QTY	UNIT	PRICE	TOTAL
1	20	CEILING	1	sq ft	2.50	2.50
2	20	CEILING	1	sq ft	2.50	2.50
3	20	CEILING	1	sq ft	2.50	2.50
4	20	CEILING	1	sq ft	2.50	2.50
5	20	CEILING	1	sq ft	2.50	2.50
6	20	CEILING	1	sq ft	2.50	2.50
7	20	CEILING	1	sq ft	2.50	2.50
8	20	CEILING	1	sq ft	2.50	2.50
9	20	CEILING	1	sq ft	2.50	2.50
10	20	CEILING	1	sq ft	2.50	2.50
11	20	CEILING	1	sq ft	2.50	2.50
12	20	CEILING	1	sq ft	2.50	2.50
13	20	CEILING	1	sq ft	2.50	2.50
14	20	CEILING	1	sq ft	2.50	2.50
15	20	CEILING	1	sq ft	2.50	2.50
16	20	CEILING	1	sq ft	2.50	2.50
17	20	CEILING	1	sq ft	2.50	2.50
18	20	CEILING	1	sq ft	2.50	2.50
19	20	CEILING	1	sq ft	2.50	2.50
20	20	CEILING	1	sq ft	2.50	2.50
21	20	CEILING	1	sq ft	2.50	2.50
22	20	CEILING	1	sq ft	2.50	2.50
23	20	CEILING	1	sq ft	2.50	2.50
24	20	CEILING	1	sq ft	2.50	2.50
25	20	CEILING	1	sq ft	2.50	2.50
26	20	CEILING	1	sq ft	2.50	2.50
27	20	CEILING	1	sq ft	2.50	2.50
28	20	CEILING	1	sq ft	2.50	2.50
29	20	CEILING	1	sq ft	2.50	2.50
30	20	CEILING	1	sq ft	2.50	2.50
31	20	CEILING	1	sq ft	2.50	2.50
32	20	CEILING	1	sq ft	2.50	2.50
33	20	CEILING	1	sq ft	2.50	2.50
34	20	CEILING	1	sq ft	2.50	2.50
35	20	CEILING	1	sq ft	2.50	2.50
36	20	CEILING	1	sq ft	2.50	2.50
37	20	CEILING	1	sq ft	2.50	2.50
38	20	CEILING	1	sq ft	2.50	2.50
39	20	CEILING	1	sq ft	2.50	2.50
40	20	CEILING	1	sq ft	2.50	2.50
41	20	CEILING	1	sq ft	2.50	2.50
42	20	CEILING	1	sq ft	2.50	2.50
43	20	CEILING	1	sq ft	2.50	2.50
44	20	CEILING	1	sq ft	2.50	2.50
45	20	CEILING	1	sq ft	2.50	2.50
46	20	CEILING	1	sq ft	2.50	2.50
47	20	CEILING	1	sq ft	2.50	2.50
48	20	CEILING	1	sq ft	2.50	2.50
49	20	CEILING	1	sq ft	2.50	2.50
50	20	CEILING	1	sq ft	2.50	2.50
51	20	CEILING	1	sq ft	2.50	2.50
52	20	CEILING	1	sq ft	2.50	2.50
53	20	CEILING	1	sq ft	2.50	2.50
54	20	CEILING	1	sq ft	2.50	2.50
55	20	CEILING	1	sq ft	2.50	2.50
56	20	CEILING	1	sq ft	2.50	2.50
57	20	CEILING	1	sq ft	2.50	2.50
58	20	CEILING	1	sq ft	2.50	2.50
59	20	CEILING	1	sq ft	2.50	2.50
60	20	CEILING	1	sq ft	2.50	2.50
61	20	CEILING	1	sq ft	2.50	2.50
62	20	CEILING	1	sq ft	2.50	2.50
63	20	CEILING	1	sq ft	2.50	2.50
64	20	CEILING	1	sq ft	2.50	2.50
65	20	CEILING	1	sq ft	2.50	2.50
66	20	CEILING	1	sq ft	2.50	2.50
67	20	CEILING	1	sq ft	2.50	2.50
68	20	CEILING	1	sq ft	2.50	2.50
69	20	CEILING	1	sq ft	2.50	2.50
70	20	CEILING	1	sq ft	2.50	2.50
71	20	CEILING	1	sq ft	2.50	2.50
72	20	CEILING	1	sq ft	2.50	2.50
73	20	CEILING	1	sq ft	2.50	2.50
74	20	CEILING	1	sq ft	2.50	2.50
75	20	CEILING	1	sq ft	2.50	2.50
76	20	CEILING	1	sq ft	2.50	2.50
77	20	CEILING	1	sq ft	2.50	2.50
78	20	CEILING	1	sq ft	2.50	2.50
79	20	CEILING	1	sq ft	2.50	2.50
80	20	CEILING	1	sq ft	2.50	2.50
81	20	CEILING	1	sq ft	2.50	2.50
82	20	CEILING	1	sq ft	2.50	2.50
83	20	CEILING	1	sq ft	2.50	2.50
84	20	CEILING	1	sq ft	2.50	2.50
85	20	CEILING	1	sq ft	2.50	2.50
86	20	CEILING	1	sq ft	2.50	2.50
87	20	CEILING	1	sq ft	2.50	2.50
88	20	CEILING	1	sq ft	2.50	2.50
89	20	CEILING	1	sq ft	2.50	2.50
90	20	CEILING	1	sq ft	2.50	2.50
91	20	CEILING	1	sq ft	2.50	2.50
92	20	CEILING	1	sq ft	2.50	2.50
93	20	CEILING	1	sq ft	2.50	2.50
94	20	CEILING	1	sq ft	2.50	2.50
95	20	CEILING	1	sq ft	2.50	2.50
96	20	CEILING	1	sq ft	2.50	2.50
97	20	CEILING	1	sq ft	2.50	2.50
98	20	CEILING	1	sq ft	2.50	2.50
99	20	CEILING	1	sq ft	2.50	2.50
100	20	CEILING	1	sq ft	2.50	2.50

LINE	NO.	DESCRIPTION	QTY	UNIT	PRICE	TOTAL
1	20	CEILING	1	sq ft	2.50	2.50
2	20	CEILING	1	sq ft	2.50	2.50
3	20	CEILING	1	sq ft	2.50	2.50
4	20	CEILING	1	sq ft	2.50	2.50
5	20	CEILING	1	sq ft	2.50	2.50
6	20	CEILING	1	sq ft	2.50	2.50
7	20	CEILING	1	sq ft	2.50	2.50
8	20	CEILING	1	sq ft	2.50	2.50
9	20	CEILING	1	sq ft	2.50	2.50
10	20	CEILING	1	sq ft	2.50	2.50
11	20	CEILING	1	sq ft	2.50	2.50
12	20	CEILING	1	sq ft	2.50	2.50
13	20	CEILING	1	sq ft	2.50	2.50
14	20	CEILING	1	sq ft	2.50	2.50
15	20	CEILING	1	sq ft	2.50	2.50
16	20	CEILING	1	sq ft	2.50	2.50
17	20	CEILING	1	sq ft	2.50	2.50
18	20	CEILING	1	sq ft	2.50	2.50
19	20	CEILING	1	sq ft	2.50	2.50
20	20	CEILING	1	sq ft	2.50	2.50
21	20	CEILING	1	sq ft	2.50	2.50
22	20	CEILING	1	sq ft	2.50	2.50
23	20	CEILING	1	sq ft	2.50	2.50
24	20	CEILING	1	sq ft	2.50	2.50
25	20	CEILING	1	sq ft	2.50	2.50
26	20	CEILING	1	sq ft	2.50	2.50
27	20	CEILING	1	sq ft	2.50	2.50
28	20	CEILING	1	sq ft	2.50	2.50
29	20	CEILING	1	sq ft	2.50	2.50
30	20	CEILING	1	sq ft	2.50	2.50
31	20	CEILING	1	sq ft	2.50	2.50
32	20	CEILING	1	sq ft	2.50	2.50
33	20	CEILING	1	sq ft	2.50	2.50
34	20	CEILING	1	sq ft	2.50	2.50
35	20	CEILING	1	sq ft	2.50	2.50
36	20	CEILING	1	sq ft	2.50	2.50
37	20	CEILING	1	sq ft	2.50	2.50
38	20	CEILING	1	sq ft	2.50	2.50
39	20	CEILING	1	sq ft	2.50	2.50
40	20	CEILING	1	sq ft	2.50	2.50
41	20	CEILING	1	sq ft	2.50	2.50
42	20	CEILING	1	sq ft	2.50	2.50
43	20	CEILING	1	sq ft	2.50	2.50
44	20	CEILING	1	sq ft	2.50	2.50
45	20	CEILING	1	sq ft	2.50	2.50
46	20	CEILING	1	sq ft	2.50	2.50
47	20	CEILING	1	sq ft	2.50	2.50
48	20	CEILING	1	sq ft	2.50	2.50
49	20	CEILING	1	sq ft	2.50	2.50
50	20	CEILING	1	sq ft	2.50	2.50
51	20	CEILING	1	sq ft	2.50	2.50
52	20	CEILING	1	sq ft	2.50	2.50
53	20	CEILING	1	sq ft	2.50	2.50
54	20	CEILING	1	sq ft	2.50	2.50
55	20	CEILING	1	sq ft	2.50	2.50
56	20	CEILING	1	sq ft	2.50	2.50
57	20	CEILING	1	sq ft	2.50	2.50
58	20	CEILING	1	sq ft	2.50	2.50
59	20	CEILING	1	sq ft	2.50	2.50
60	20	CEILING	1	sq ft	2.50	2.50
61	20	CEILING	1	sq ft	2.50	2.50
62	20	CEILING	1	sq ft	2.50	2.50
63	20	CEILING	1	sq ft	2.50	2.50
64	20	CEILING	1	sq ft	2.50	2.50
65	20	CEILING	1	sq ft	2.50	2.50
66	20	CEILING	1	sq ft	2.50	2.50
67	20	CEILING	1	sq ft	2.50	2.50
68	20	CEILING	1	sq ft	2.50	2.50
69	20	CEILING	1	sq ft	2.50	2.50
70	20	CEILING	1	sq ft	2.50	2.50
71	20	CEILING	1	sq ft	2.50	2.50
72	20	CEILING	1	sq ft	2.50	2.50
73	20	CEILING	1	sq ft	2.50	2.50
74	20	CEILING	1	sq ft	2.50	2.50
75	20	CEILING	1	sq ft	2.50	2.50
76	20	CEILING	1	sq ft	2.50	2.50
77	20	CEILING	1	sq ft	2.50	2.50
78	20	CEILING	1	sq ft	2.50	2.50
79	20	CEILING	1	sq ft	2.50	2.50
80	20	CEILING	1	sq ft	2.50	2.50
81	20	CEILING	1	sq ft	2.50	2.50
82	20	CEILING	1	sq ft	2.50	2.50
83	20	CEILING	1	sq ft	2.50	2.50
84	20	CEILING	1	sq ft	2.50	2.50
85	20	CEILING	1	sq ft	2.50	2.50
86	20	CEILING	1	sq ft	2.50	